

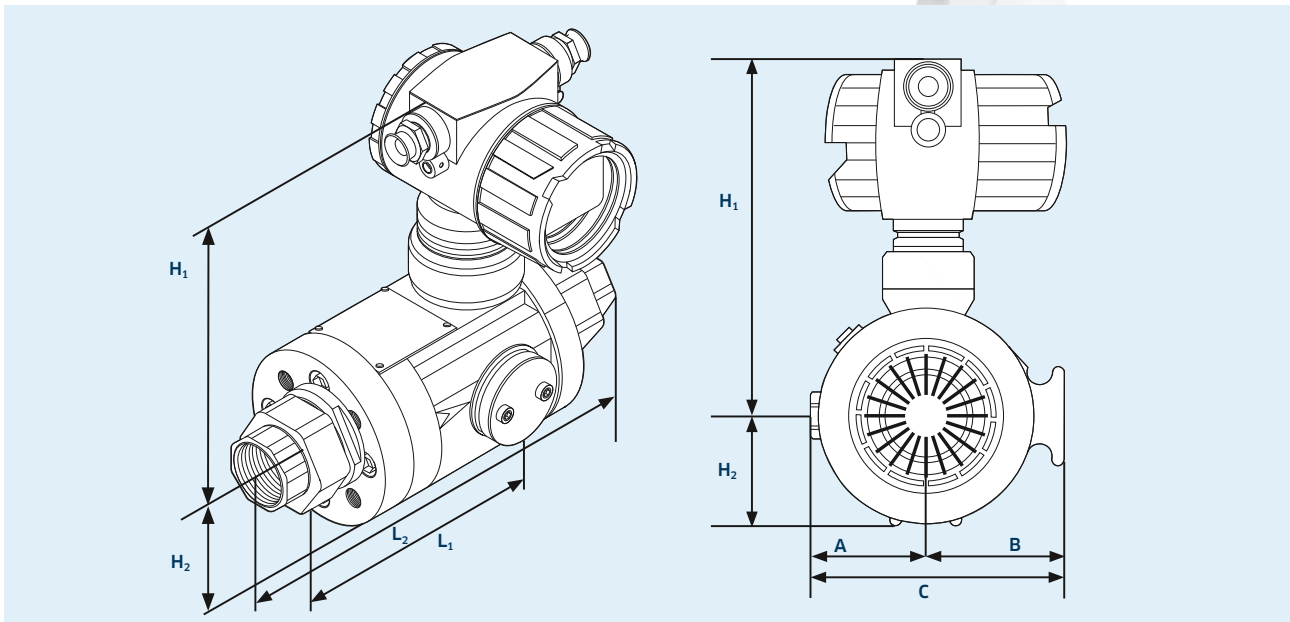
Product information

# MQMe Quantometer

with electronic index



The MQMe Quantometer is a turbine gas meter that registers the operational natural gas volume measurement and other non-aggressive gases such as propane, butane, air, carbon dioxide (CO<sub>2</sub>) or inert gases using an electronic index for internal accounting and controlling processes of various types, especially in industrial thermal processing facilities.



Dimensions, weights, connections

Rp / DN	Housing dimensions (mm)							Weight (kg)
	L <sub>1</sub>	L <sub>2</sub>	A	B	C	H <sub>1</sub>	H <sub>2</sub>	
1" threaded	185	240	64	64	128	222	55	6,8
1 ½" threaded	210	280	64	64	128	222	55	7,9
25	150	-	64	64	128	222	55	5,8
50	60	-	60	72	132	253	54	4,2
80	120	-	75	97	172	272	72	6,9
100	150	-	80	107	103	283	81	8,6
150	180	-	122	123	245	311	107	13,2

Key features:

- > Meter sizes from G 10 to G 1000
- > Flow rates from 1,6 to 1600 m<sup>3</sup>/h
- > Nominal sizes from Rp 1" to DN
- > 150 Pressure class PN 4/16
- > Measuring ranges up to 1:20
- > Maintenance free based on permanent lubrication of the ball bearings
- > Meter body made of anodized high-strength aluminium
- > Optional: Manual lubrication of the ball bearings via the oil pump
- > Lithium battery, with optional external power supply
- > Integral volume corrector (AGA NXD-19) as an option
- > Connection of an external pressure and temperature measurement sensor is possible
- > Communication (options): Serial RS 485 interface (Modbus), M-Bus, 4 to 20 mA analog output, 1 HF or 1 LF pulse output (optional)
- > Electronic index Rotating
- > Index head (180°)
- > Recommended straight inlet pipe ≥ 3DN and outlet pipe of ≥ 2DN
- > Horizontal and vertical mounting position
- > Approval according to DGRL/PED 2014/68/EU (Pressure Equipment Directive)
- > ATEX / IECEx Ex-Zone 1: Ex ia II C T4 Ga

## Technical specifications

The MQMe Quantometer is a turbine gas meter that registers the operating volume using a nine-digit electronic index. The MQMe Quantometer is a volume flow meter. The flow of the gas to be measured causes the turbine rotor to rotate.

The gas flow is narrowed on an annular cross section, is accelerated and directed onto the smooth-running aluminium rotor. The number of rotations is proportional to the measured gas volume; the frequency of rotations is proportional to the actual gas flow.

## Connections

Rp		
1" threaded	ISO 7/1	
1 ½" threaded	ISO 7/1	
DN		
25		
50	4xM16	DIN EN 1092-1PN 16
80	8xM16	DIN EN 1092-1PN 16
100	8xM16	DIN EN 1092-1PN 16
150	8xM20	DIN EN 1092-1PN 16

Type	G-Type	DN / Rp	Type of connection	Measuring range Operating volume flow Q <sub>b</sub> [m³/h]		Measuring range Ratio	pe max. Gas	HF [imp/m³] * external pulse gen.	HF [imp/m³] internal pulse gen.	LF [imp/m³] internal pulse gen.	Pressure loss (mbar) at Q <sub>max</sub> and p=1 bar abs.
				Q min.	Q max.						
MQMe	10	Rp 1"	Rp Internal thread	1,6	16	1:10	4 bar	185.000 - 195.000	15.080 - 16.250	10	5
MQMe	16	Rp 1"	Rp Internal thread	2,5	25	1:10	4 bar	185.000 - 195.000	15.080 - 16.250	10	5
MQMe	25	Rp 1"	Rp Internal thread	4	40	1:10	4 bar	185.000 - 195.000	15.080 - 16.250	10	5
MQMe	40	Rp 1"	Rp Internal thread	6,5	65	1:10	4 bar	185.000 - 195.000	15.080 - 16.250	10	5
MQMe	40	Rp 1 ½"	Rp Internal thread	6,5	65	1:10	4 bar	185.000 - 195.000	15.080 - 16.250	10	5
MQMe	10	DN25	Flange	1,6	16	1:10	16 bar	185.000 - 195.000	15.080 - 16.250	10	5
MQMe	16	DN25	Flange	2,5	25	1:10	16 bar	185.000 - 195.000	15.080 - 16.250	10	5
MQMe	25	DN25	Flange	4	40	1:10	16 bar	185.000 - 195.000	15.080 - 16.250	10	5
MQMe	40	DN25	Flange	6,5	65	1:10	16 bar	185.000 - 195.000	15.080 - 16.250	10	5
MQMe	40	DN50	Flange	6,5	65	1:10	16 bar	101.000 - 107.000	8.416 - 8.916	10	3
MQMe	65	DN50	Flange	5	100	1:20	16 bar	101.000 - 107.000	8.416 - 8.916	10	4
MQMe	100	DN80	Flange	8	160	1:20	16 bar	26.400 - 27.200	1.885 - 2.266	1	2
MQMe	160	DN80	Flange	12,5	250	1:20	16 bar	26.400 - 27.200	1.885 - 2.266	1	2
MQMe	250	DN80	Flange	20	400	1:20	16 bar	26.400 - 27.200	1.885 - 2.266	1	4
MQMe	160	DN100	Flange	12,5	250	1:20	16 bar	13.100 - 13.900	935 - 992	1	3
MQMe	250	DN100	Flange	20	400	1:20	16 bar	13.100 - 13.900	935 - 992	1	3
MQMe	400	DN100	Flange	32	650	1:20	16 bar	13.100 - 13.900	935 - 992	1	6
MQMe	400	DN150	Flange	32	650	1:20	16 bar	5.100 - 5.400	318 - 386	1	10
MQMe	650	DN150	Flange	50	1000	1:20	16 bar	5.100 - 5.400	318 - 386	1	10
MQMe	1000	DN150	Flange	80	1600	1:20	16 bar	5.100 - 5.400	318 - 386	1	10

\* =The absolute number of the HF pulses depends on the meter size and the individual meter. The stated values are typical sizes. Exact values are determined during calibration of the meter and are stated on the nameplate.



MQMe Quantometer  
(Rp 1 1/2" internal thread)

Oil pump for lubricating ball bearings  
(optional)

**metreg**  
Metreg Technologies GmbH

**Metreg Technologies GmbH**

Neckaraue 9  
71686 Remseck  
Tel. +49 (0)7142 9191-590  
Fax +49 (0)7142 9191-599  
info@metreg-technologies.de  
www.metreg-technologies.de